



INSTALLATION MANUAL

PEMKO® STAIR EDGING URBAN

DTAC PTY LTD
ABN 41 093 070 127

Unit 4, 11-12 Phillip Court
Port Melbourne Victoria
Australia 3207

PO Box 5059
South Melbourne Victoria
Australia 3205

PEMKO®
T 1300 793 478

estimating@dtac.com.au
dtac.com.au

© DTAC Pty Ltd 2024

USER/INSTALLER

It is imperative that everyone installing DTAC products carefully read this document prior to commencement of installation. DTAC Pty Ltd will not be held liable for the misuse of their products or any damage whatsoever caused as a result of non-compliance with procedures as described in this document.

DTAC Pty Ltd will only honour the product guarantee for the DTAC Tactiles when the product has been installed in accordance with the specified instructions, equipment and products as described within this document.

TABLE OF CONTENTS

EQUIPMENT REQUIRED FOR INSTALLATION	3
INSTALLATION	4

IMPORTANT NOTICE

The user/installer is responsible for determining whether the adhesive product is fit for a particular purpose and suitable for the user's/installer's method of application. Please remember that many factors can affect the use and performance of an adhesive product in a particular application.

The factors include but are not limited to: the surface preparation of those materials, the product selected for use, the condition in which the product is used and the time and environmental conditions in which the product is expected to perform.

Given the many factors that can affect the use and performance of an adhesive product, some of which are uniquely within the user's/installer's knowledge and control, it is essential the user/installer evaluate the adhesive product to determine where it is fit for a particular purpose and suitable for the user's/installer's method of application.

If in doubt, always consult with a DTAC Technical Representative prior to commencement of any works.

NOTE: The user/installer should at all times observe the manufacturer's specifications and if required, seek additional information from an authorised DTAC representative.

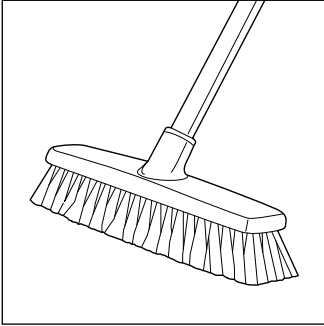
O.H.S.: The user/installer should read in full and be familiar with the precautions to take to ensure the safe use of DTAC products. When using adhesives and cleaners, DTAC recommends wearing latex or vinyl gloves and a respirator that complies with Australia Standards AS1715 & AS1716.

LIGHT REFLECTANCE VALUE (LRV)

IMPORTANT: An LRV testing review is required prior to installation.

To determine a luminance contrast between a substrate and the DTAC Tactile, see: AS/NZS 1428.4.1:2009 and AS 1428.1:2021.

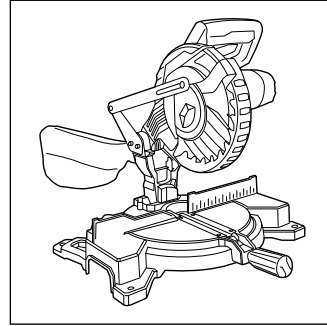
EQUIPMENT REQUIRED FOR INSTALLATION



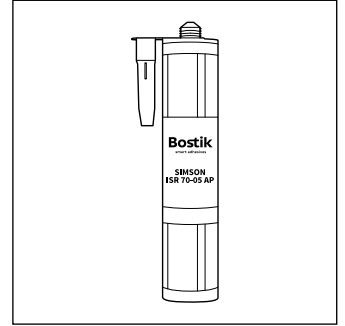
Broom



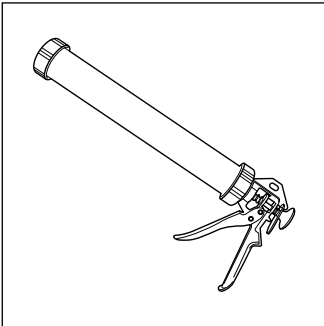
3M Scotch 700 Adhesive
Cleaner/Solvent
(Product Code: DTC0090)



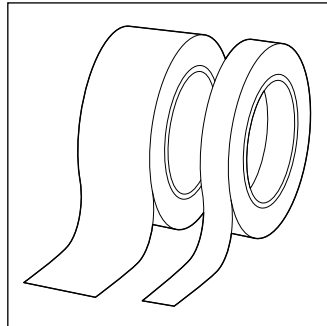
Drop Saw with Aluminium
Cutting Blade



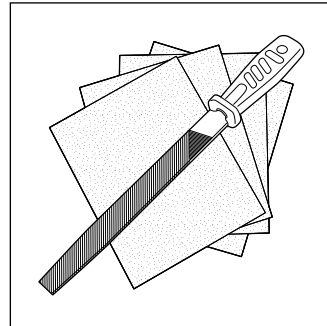
Bostik Simson ISR 70-05 Anchor
Fix (290ml Cartridge)
(Product Code: DTC0040)



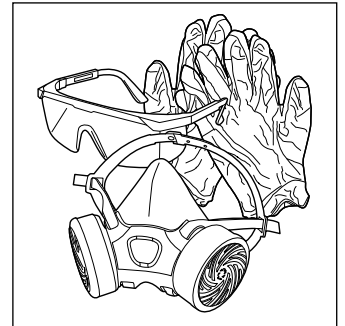
DTAC Caulking Gun
(Product Code: DTC0460)



3M Green Masking Tape -
12/36mm **(Product Codes
DTC0060 & DTC0050)**

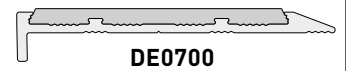
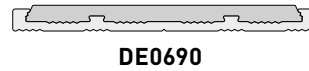
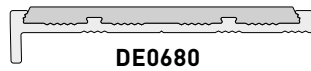


Sandpaper and/or File

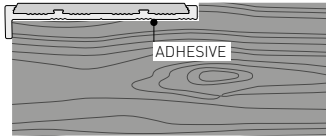


Safety Gear

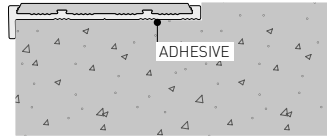
URBAN



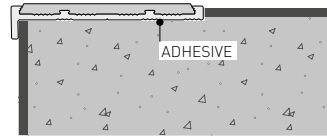
INSTALLATION



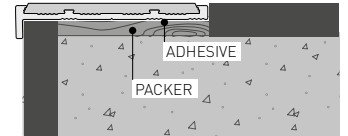
TIMBER



CONCRETE/STONE/MASONRY



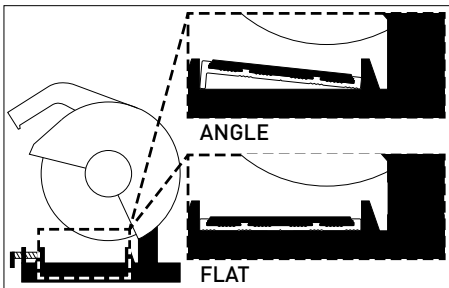
VINYL



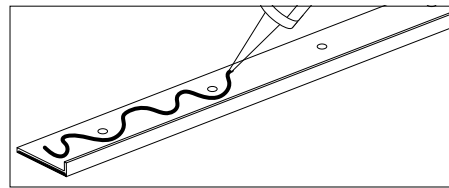
**PORCELAIN/CERAMICS/
GLASS/METALS***



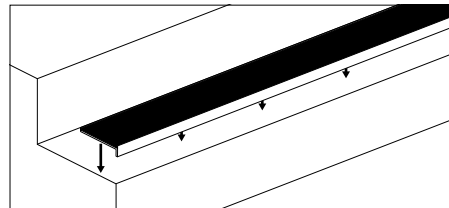
1. Sweep steps to rid area of dirt, dust and debris.
2. Clean steps with 3M Scotch 700 Adhesive Cleaner/Solvent to prepare area for adhesive.



3. Machine cut stair edging to the required length. Lightly sand or file cut ends to a neat finish.
Note: Silicon carbide must be on topside when cutting. Use a high speed cut off wheel for aluminium. Lubricate with water spray while cutting to achieve best result.
4. Clean underside of stair edging with 3M Scotch 700 Adhesive Cleaner/Solvent to remove any grease, dirt or dust.

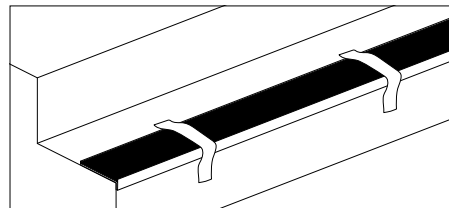


5. Apply adhesive to the underside of the stair edging.



6. Position stair edging in place.

7. Note: Flat profiles can be set back by max 15mm (AS 1428.1:2009).



8. Tape stair edging.

*NOTE: Ensure grout line is discrete as illustrated.
 Packer not required for DE0700.