



INSTALLATION MANUAL

INTEGRATED TACTILE PLATES ON CARPET, VINYL OR RUBBER

USER/INSTALLER

It is imperative that everyone installing DTAC products carefully read this document prior to commencement of installation. DTAC Pty Ltd will not be held liable for the misuse of their products or any damage whatsoever caused as a result of non-compliance with procedures as described in this document.

TABLE OF CONTENTS

EQUIPMENT REQUIRED FOR INSTALLATION	3
DTAC TEMPLATE INSTALLATION	4
INSTALLATION SUMMARY	6

IMPORTANT NOTICE

The user/installer is responsible for determining whether the adhesive product is fit for a particular purpose and suitable for the user's/installer's method of application. Please remember that many factors can affect the use and performance of an adhesive product in a particular application.

The factors include but are not limited to: the surface preparation of those materials, the product selected for use, the condition in which the product is used and the time and environmental conditions in which the product is expected to perform.

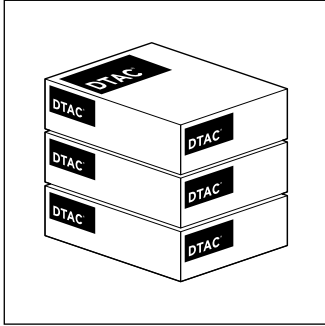
Given the many factors that can affect the use and performance of an adhesive product, some of which are uniquely within the user's/installer's knowledge and control, it is essential the user/installer evaluate the adhesive product to determine where it is fit for a particular purpose and suitable for the user's/installer's method of application.

If in doubt, always consult with a DTAC Technical Representative prior to commencement of any works.

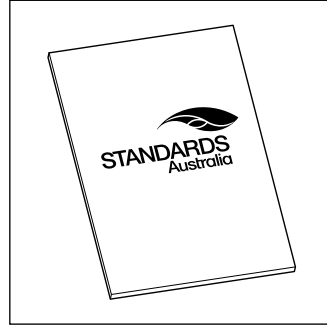
NOTE: The user/installer should at all times observe the manufacturer's specifications and if required, seek additional information from an authorised DTAC representative.

O.H.S.: The user/installer should read in full and be familiar with the precautions to take to ensure the safe use of DTAC products. When using adhesives and cleaners, DTAC recommends wearing latex or vinyl gloves and a respirator that complies with Australia Standards AS1715 & AS1716.

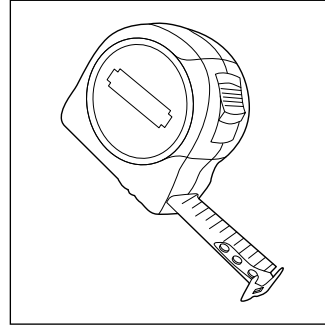
EQUIPMENT REQUIRED FOR INSTALLATION



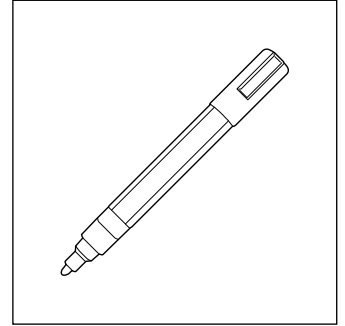
DTAC Tactile Products



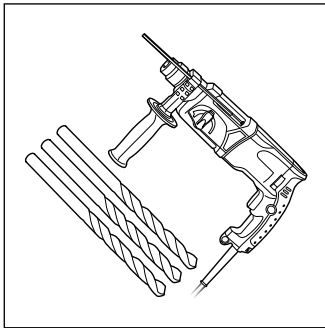
Australian Standards Document



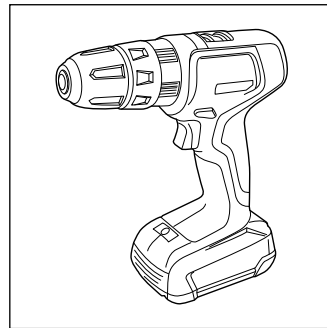
Measuring Tape (Metric)



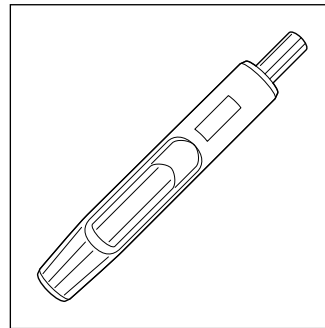
White Paint Pen



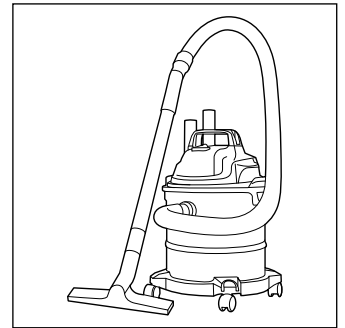
Rotary Hammer Drill (with Depth Stop) and 4mm Drill Bits



Cordless Electric Drill



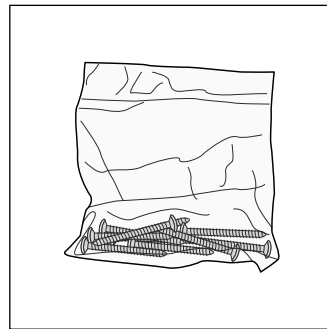
Carpet Punching Tool



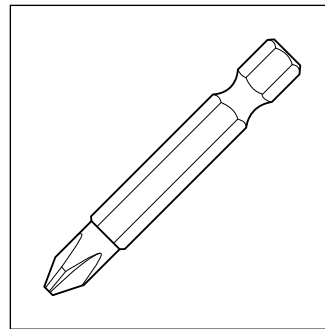
Vacuum Cleaner



Plug Kit
(Product Code: DESB03)

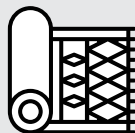


Grey Screw Bag Kit
(Product Code: DESB01)



Philips Head Drill Bit

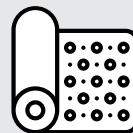
RECOMMENDED SUBSTRATES



Carpet

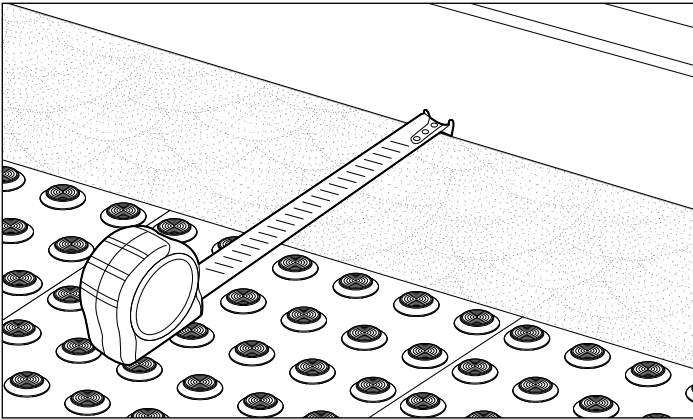


Vinyl

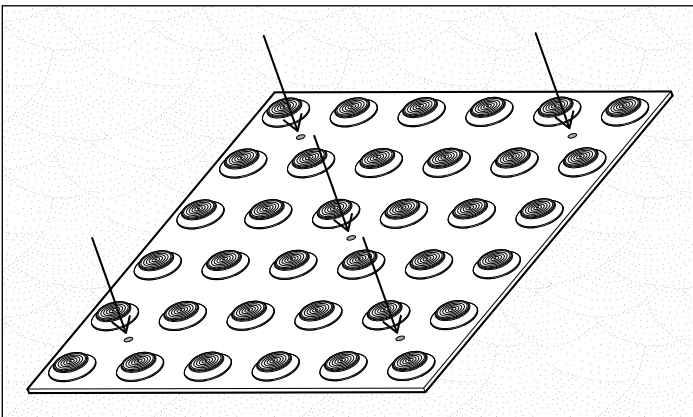


Rubber

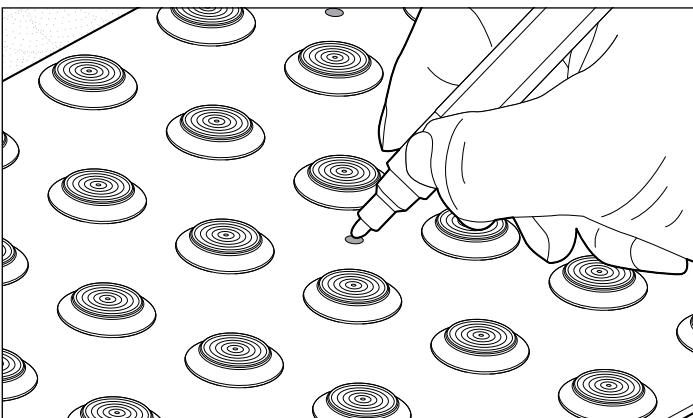
DTAC TEMPLATE INSTALLATION



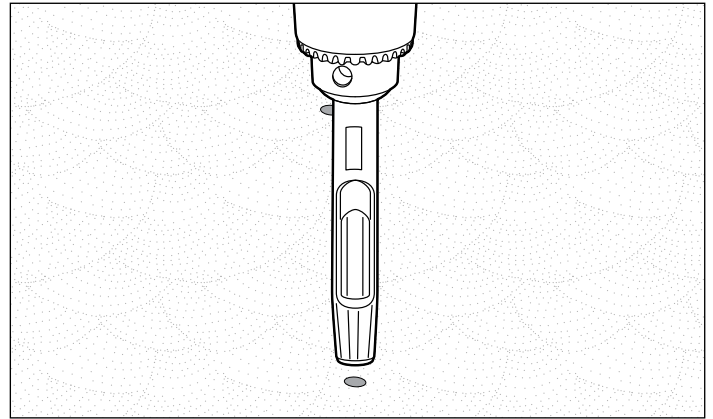
1. Position DTAC Tile Plates using a tape measure, ensuring that the Tactile layout will conform to the latest AS/NZS 1428.4 Standard.



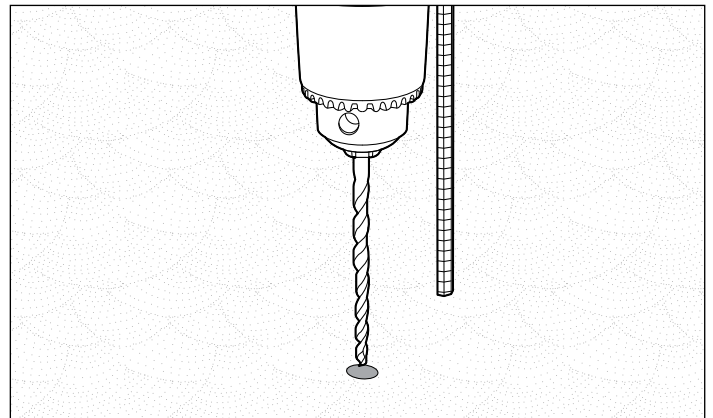
2. Drill holes in Tile Plates as shown above.



3. Using a White Paint Pen, mark out the holes into the substrate.



4. Using a Carpet Punching Tool, drill into the substrate.



5. Using a Rotary Hammer Drill (with Depth Stop), drill all holes.

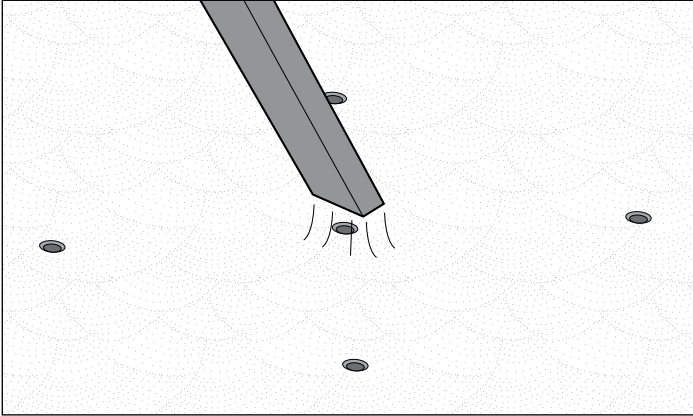


IMPORTANT NOTE: The Carpet Punching Tool can become extremely hot. Ensure you take a break and let it cool as required.

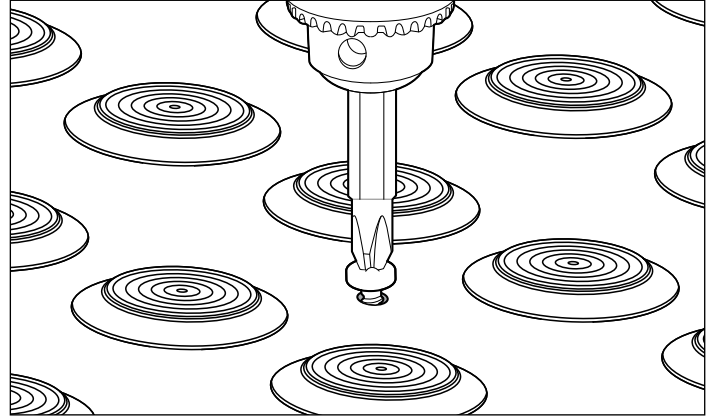


IMPORTANT NOTE: The suggested drill hole positions are a guide only. Select positions depending on the application and placement.

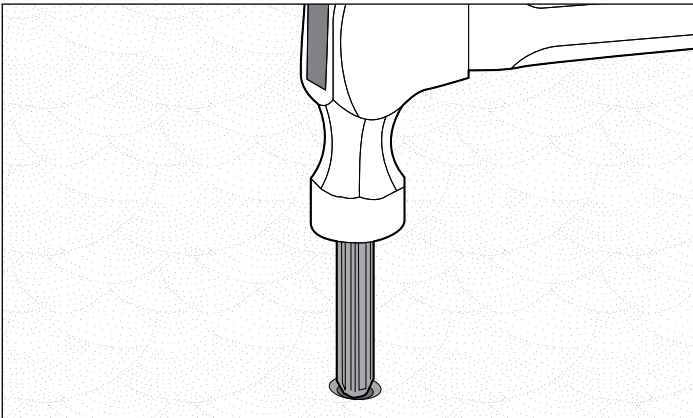
DTAC TEMPLATE INSTALLATION



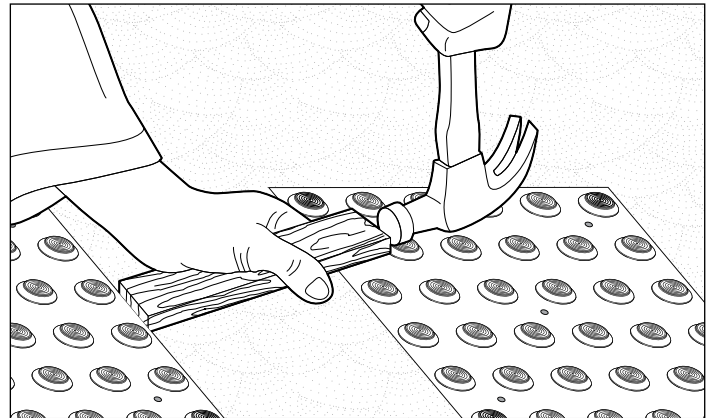
6. Vacuum any lint out of the drilled holes with a Vacuum Cleaner.



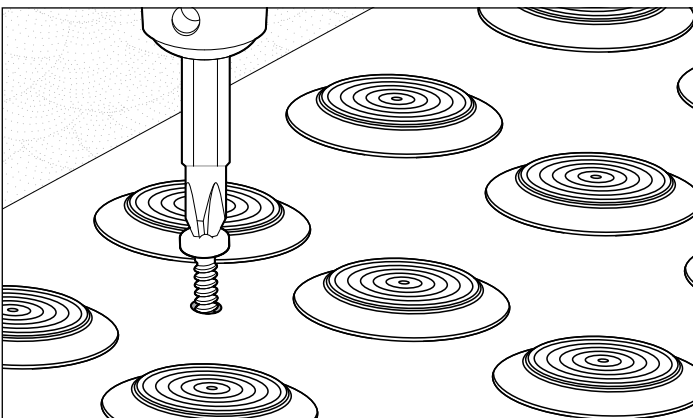
9. Starting from the centre hole, drill all screws fully.



7. Hammer in the Screw Plugs using the Plug Kit (**Product Code: DESB03**).



10. After fixing the first plate, use a piece of timber and a hammer to butt the plates neatly up to each other.



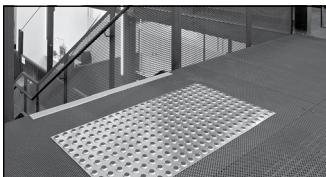
8. Using the Grey Screw Bag Kit (**Product Code: DESB01**) and an Electric Drill, position the first screw in one of the corners and drill down to no more than 75% of its' depth. Repeat this with all the other holes.

INSTALLATION SUMMARY

DTAC TEMPLATE INSTALLATION

1. Position DTAC Tile Plates using a Measuring Tape, according to AS/NZS 1428.4.
2. Drill holes in Tile Plates as shown on Page 4.
3. Using a White Paint Pen, mark out the holes into the substrate.
4. Using a Carpet Punching Tool, drill into the substrate.
5. Using a Rotary Hammer Drill (with Depth Stop), drill all holes.
6. Vacuum any lint out of the drilled holes with a Vacuum Cleaner.
7. Hammer in the Screw Plugs.
8. Position the first screw in one of the corners and drill down to no more than 75% of its' depth. Repeat this with all the other holes.
9. Starting from the centre hole, drill all screws fully.
10. After fixing the first plate, use a piece of timber and a hammer to butt the plates neatly up to each other.
11. Inspect the installation.

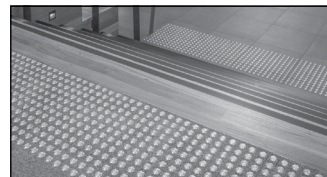
OTHER DTAC PRODUCTS



INTEGRATED TACTILES



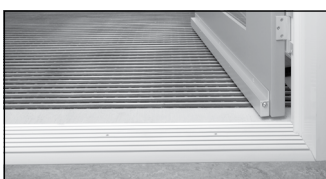
DIRECTIONAL TACTILES



CARPET TACTILE SYSTEMS



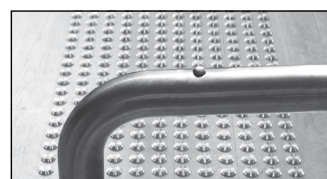
STAIR NOSING & EDGING



THRESHOLDS & TRANSITION STRIPS



URBAN EDGE PROTECTORS



HANDRAIL TACTILE INDICATORS



CONSUMABLES